



Vortron Industrial Data Sheet

Centrifugal Blowers, Dryers, Aerators, Forced-Air Cleaners

Vortron's AIRPOWER® Series Of Industrial Blowers

J-70

Vortron's most *compact AIRPOWER®* model, the **J70** specializes in the lower flow, but higher pressure applications (90-130 in-H₂O) without need for excessive impeller speeds. Still, the **J70** attains a peak efficiency of 76%! Ideal for high-performance air knives, blow-off, or de-watering systems where high production throughput is required, but manufactured articles are smaller in scale. Also ideal for medium-sized fluidized beds or where large pressure drop/long piping runs exist. Use with air or non-corrosive process gas.

MODEL DESIGNATION: J-70

- DESCRIPTION:** Single-stage centrifugal compressor, belt driven, permanently-lubed high-speed spindle.
- DRIVE SYSTEM:** Micro-groove multi-ribbed belt with dual-bearing backside automatic tensioner. Integral Fresh-Aire™ cooling system for belt, tensioner/idler, spindle assembly longevity.
- SPINDLE ASSEMBLY:** ABEC 9 precision bearings, permanently lubricated.
- SEALS:** *Standard:* High Performance PTFE Lip
High-Speed: (1) Controlled-Gap Labyrinth Seal

MATERIALS of CONSTRUCTION:

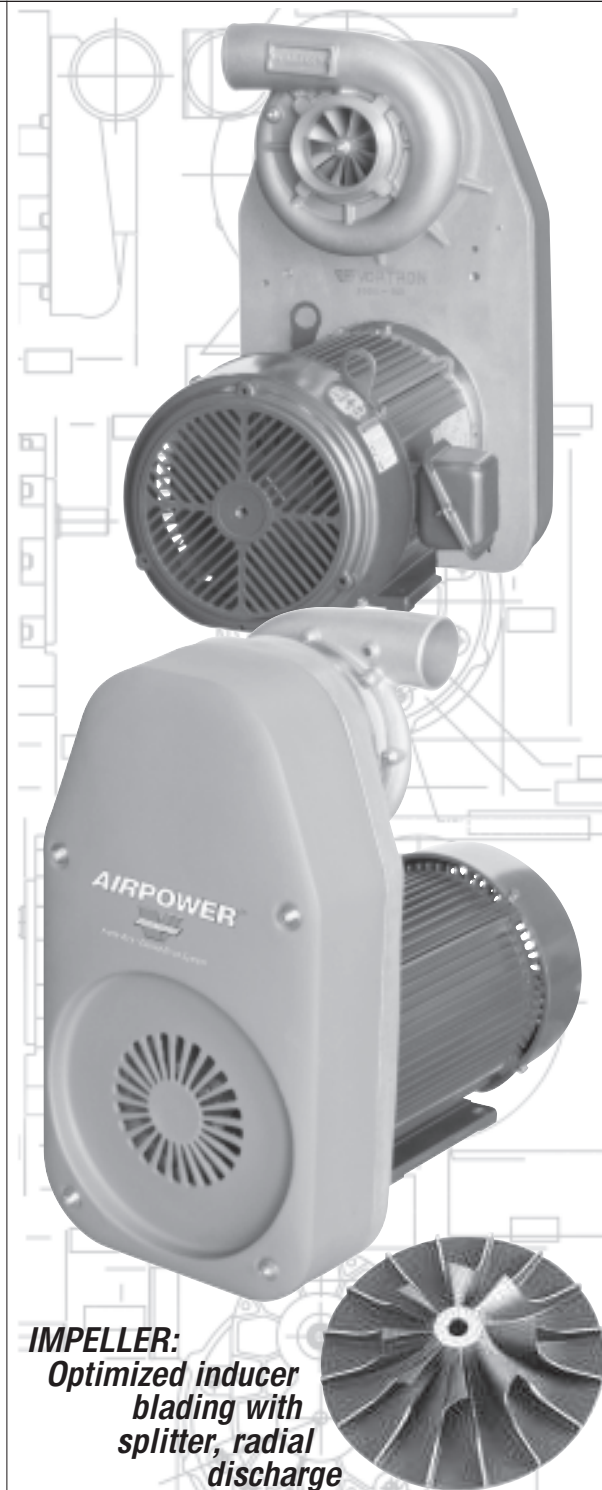
- Housing, Volute, Mounting Plate:* A356-T6 Aluminum
- Impeller:* Investment Cast Aluminum
- Shaft:* **Standard:** Alloy Steel, Heat-treated
Optional: Stainless Steel
- Main Drive Pulley:* A356-T6, Hard Anodized
- Compressor Pulleys:* Stainless Steel
- Cover:* High-Impact Cross-Linked PE
- OPERATING SPEED:** 14,000 to 28,400 RPM
- PERFORMANCE:** *See Compressor Map For Actual Performance At Specific Operating Point:*
- Max. Flow (SCFM):* 1050
- Max. Pressure (in-H₂O):* 154
- Peak Isentropic Effy (%):* 75
- Ratings:* To 20 HP

PEAK TEMPERATURE:

- Inlet (°F):* To 130°; max. not to exceed 200° at discharge
- Discharge (°F):* To 200°
- LAYOUT:** *NEMA C-Face Mount (180 - 256 Series Frame)
Vertical or Horizontal Orientation*
- Connections (Tubular O.D.):**
- Inlet:* 4.0 in.
- Discharge:* 3.0 in.; Full 360° Discharge Orientation
- Rotation:* Clockwise or Optional Counterclockwise (as viewed from inlet)
- Dimensions:** Refer to installation drawing

SYSTEM OPTIONS:

- Suction Filters:** (1) High-Performance washable element or HEPA.
(2) Integrated filter/silencer
- Mounts:** (1) Rigid steel rails
(2) Compliant vibration isolation mounts.
- Motors:** Inverter duty, premium efficient, washdown, explosion proof

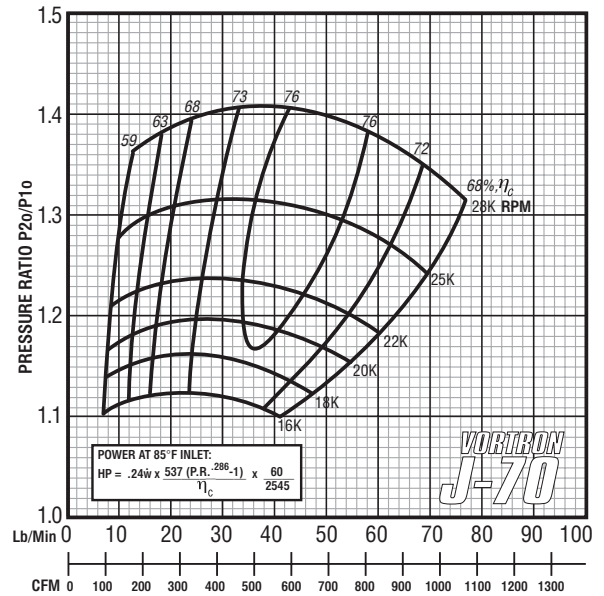
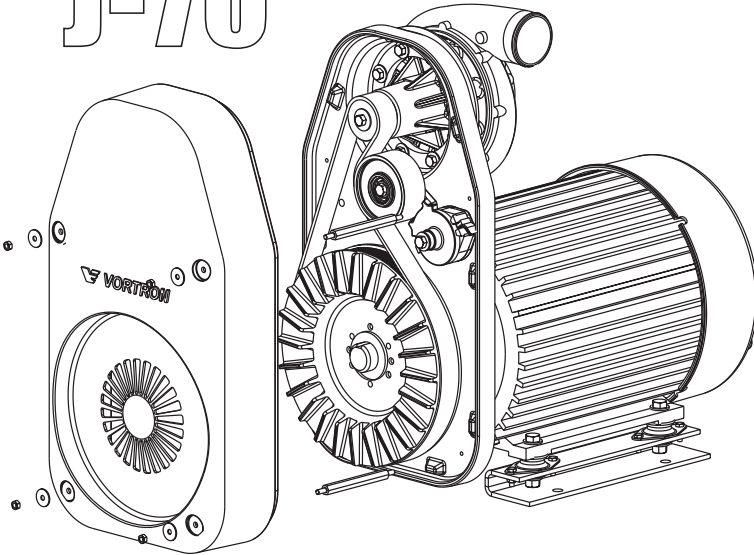


IMPELLER:
*Optimized inducer
blading with
splitter,
radial
discharge*

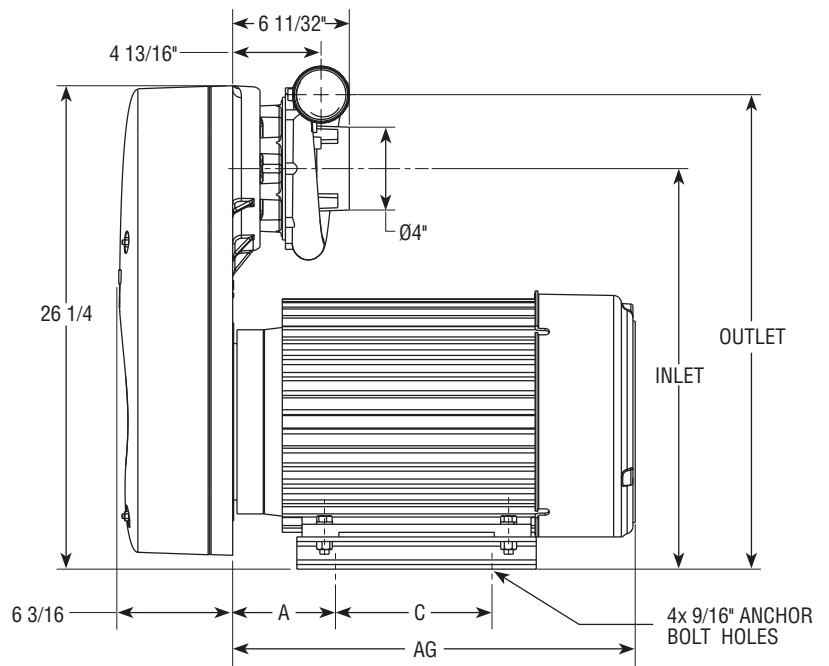
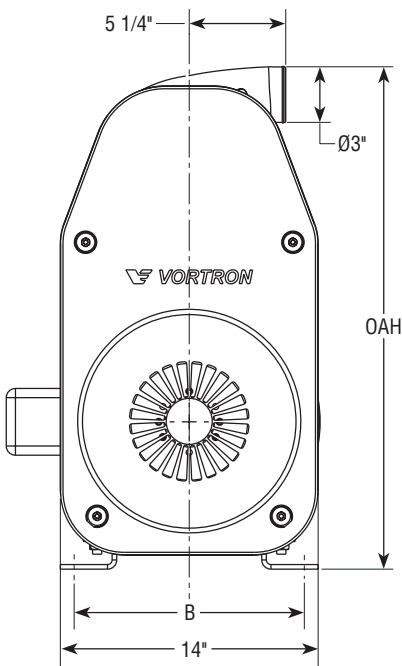
VORTRON Industrial - 1650 Pacific Avenue, Channel Islands, CA 93033-9901 • Tel: 805 240-2516 - Fax: 805 487-5468
vortron.com

Vortron's **AIRPOWER**® Series Of Industrial Blowers

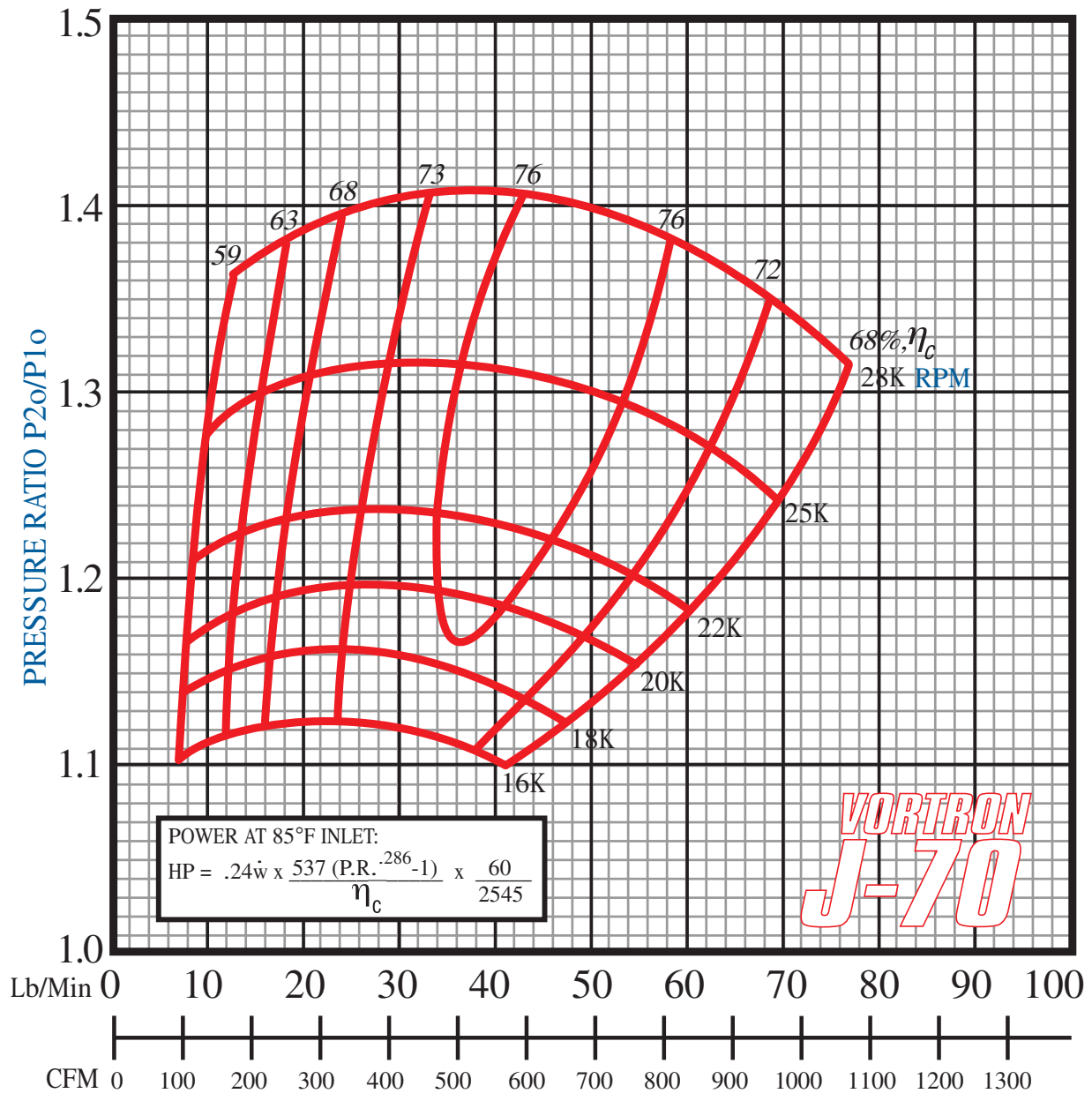
J-70



MOTOR SERIES	STANDARD MOUNTS			ISOLATION MOUNTS			AG	A	B	C	Wt(lbs)
	OAH	INLET	OUTLET	OAH	INLET	OUTLET					
182TC, 182TCH	27 9/16	21-3/4	25 3/4	27 1/2	21-3/4	25 3/4	13-1/2	3	10	8-1/2	123
184TC, B184TC, 184TCH, B184TCH	27 9/16	21-3/4	25 3/4	27 1/2	21-3/4	25 3/4	13-1/2	3-1/2	10	8-1/2	140
213TC	27 9/16	21-3/4	25 3/4	27 1/2	21-3/4	25 3/4	15-1/2	3-1/2	11	8-1/2	170
215TC	27 9/16	21-3/4	25 3/4	27 1/2	21-3/4	25 3/4	17	4-1/4	11	8-1/2	180
254TC	27 9/16	21-3/4	25 3/4	28	22-5/16	26 5/16	20-1/8	4-7/8	12-1/2	8-1/2	280
256TC, B256TC	27 9/16	21-3/4	25 3/4	28	22-5/16	26 5/16	21-7/8	5-3/4	12-1/2	8-1/2	300



Vortron Industrial - 1650 Pacific Avenue, Channel Islands, CA 93033-9901 • Tel: 805 240-2516 - Fax: 805 487-5468
vortron.com



J70-3 - 03/28/02 — 07/19/04